

PART ORDERING INFORMATION:

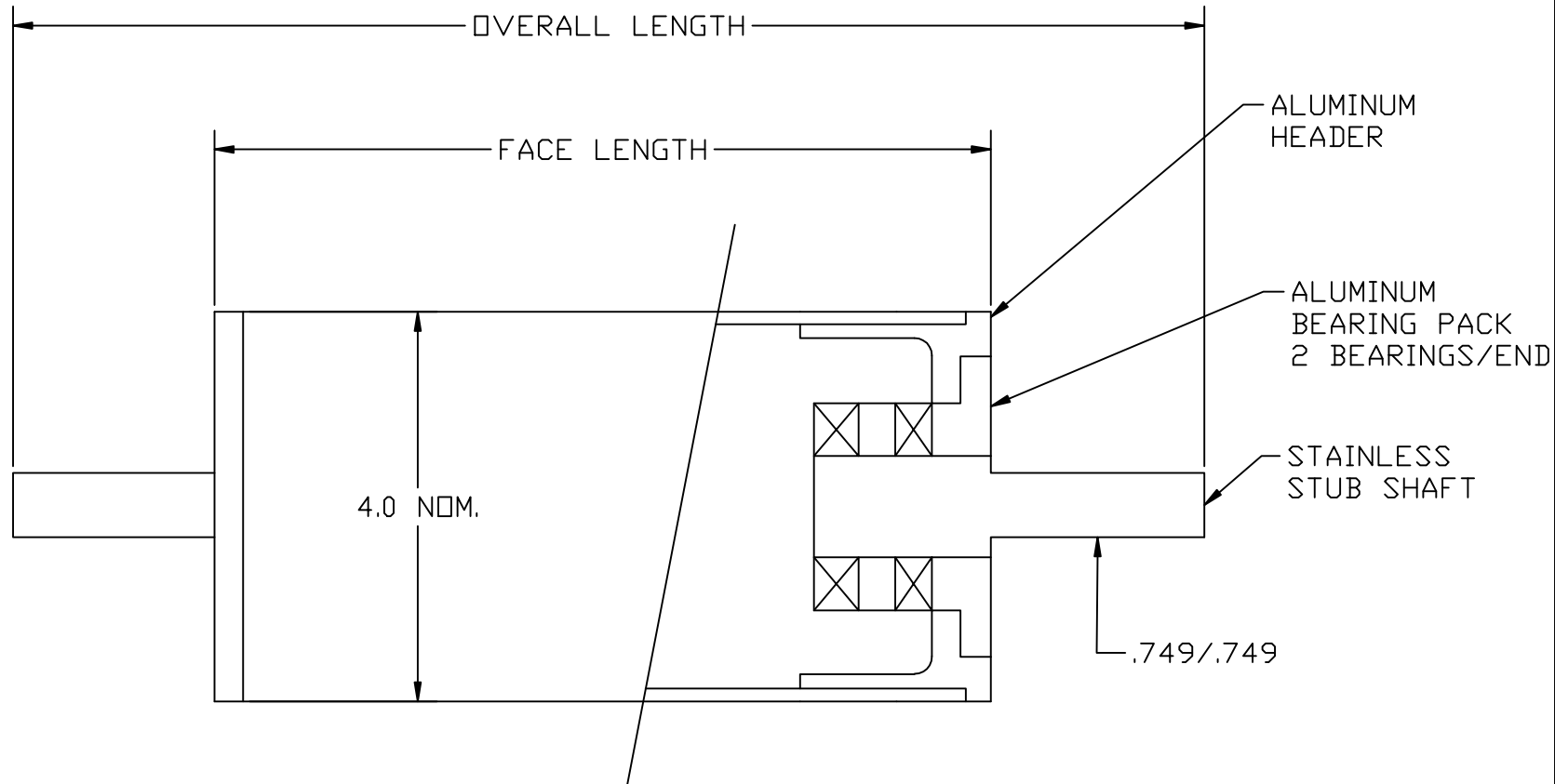
3-"FACE LENGTH"- "OVERALL LENGTH"-14100C
 INCHES INCHES

NOTE: 3" X .125" WALL CARBON FIBER TUBING
 .003" MAX. TAPER
 .003" MAX. T.I.R.
 O.D. POLISHED 32 Ra
 DYNAMICALLY BALANCED G1.0

ROCKFORD ROLLER CORP.

10527 PRODUCT DR. MACHESNEY PARK IL 61115 (815)282-2234

SCALE		DRAWN	DJ
UNITS	ENGLISH	DATE	4-7-03
		DRAWING NUMBER	
		A-14100	



PART ORDERING INFORMATION:

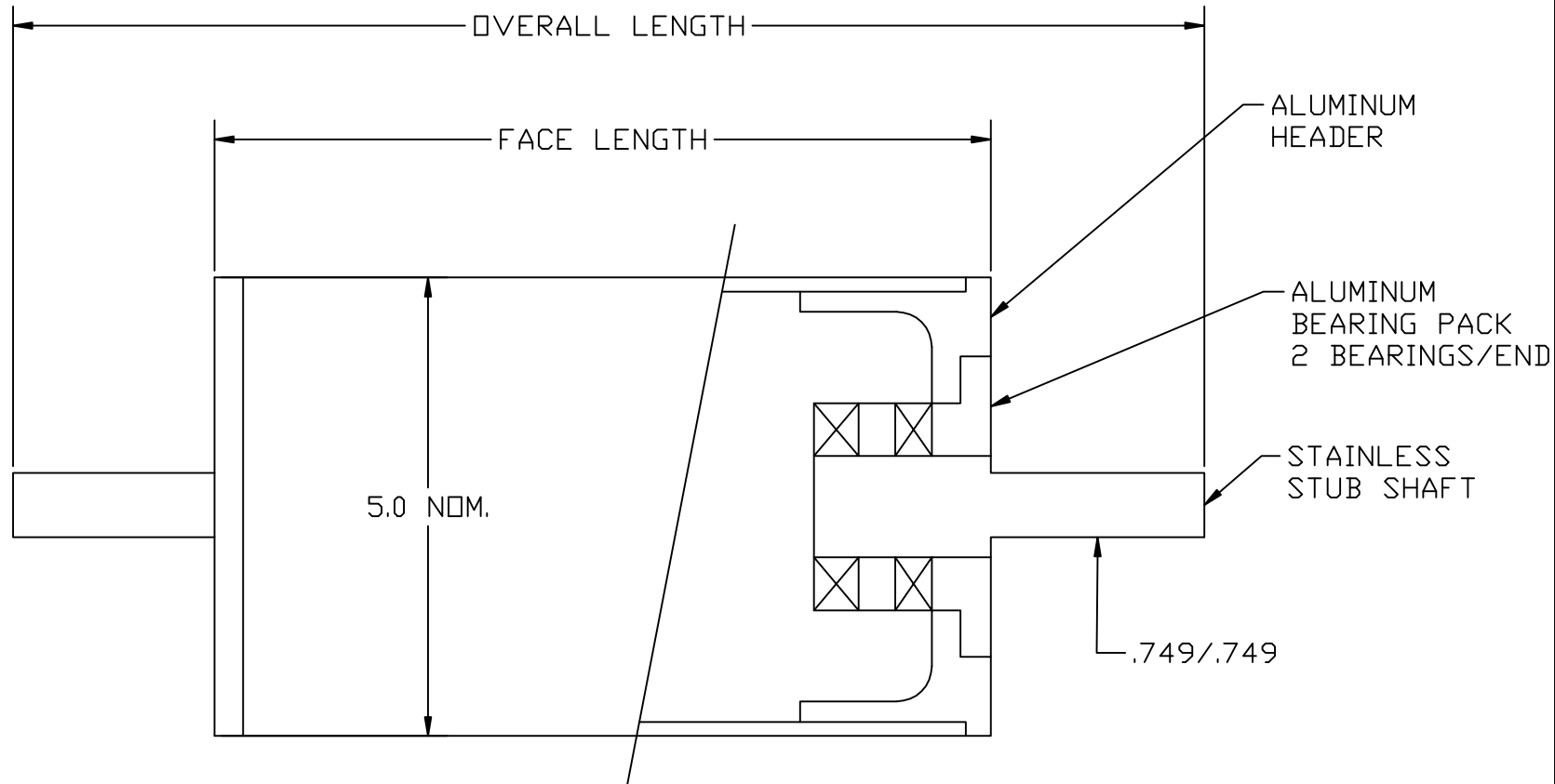
4-"FACE LENGTH"- "OVERALL LENGTH"-14200C
INCHES INCHES

NOTE: 4" X .125" WALL CARBON FIBER TUBING
.003" MAX. TAPER
.003" MAX. T.I.R.
O.D. POLISHED 32 Ra
DYNAMICALLY BALANCED G1.0

ROCKFORD ROLLER CORP.

10527 PRODUCT DR. MACHESNEY PARK IL 61115 (815)282-2234

SCALE		DRAWN	DJ
UNITS	ENGLISH	DATE	4-7-03
		DRAWING NUMBER	
		A-14200	



PART ORDERING INFORMATION:

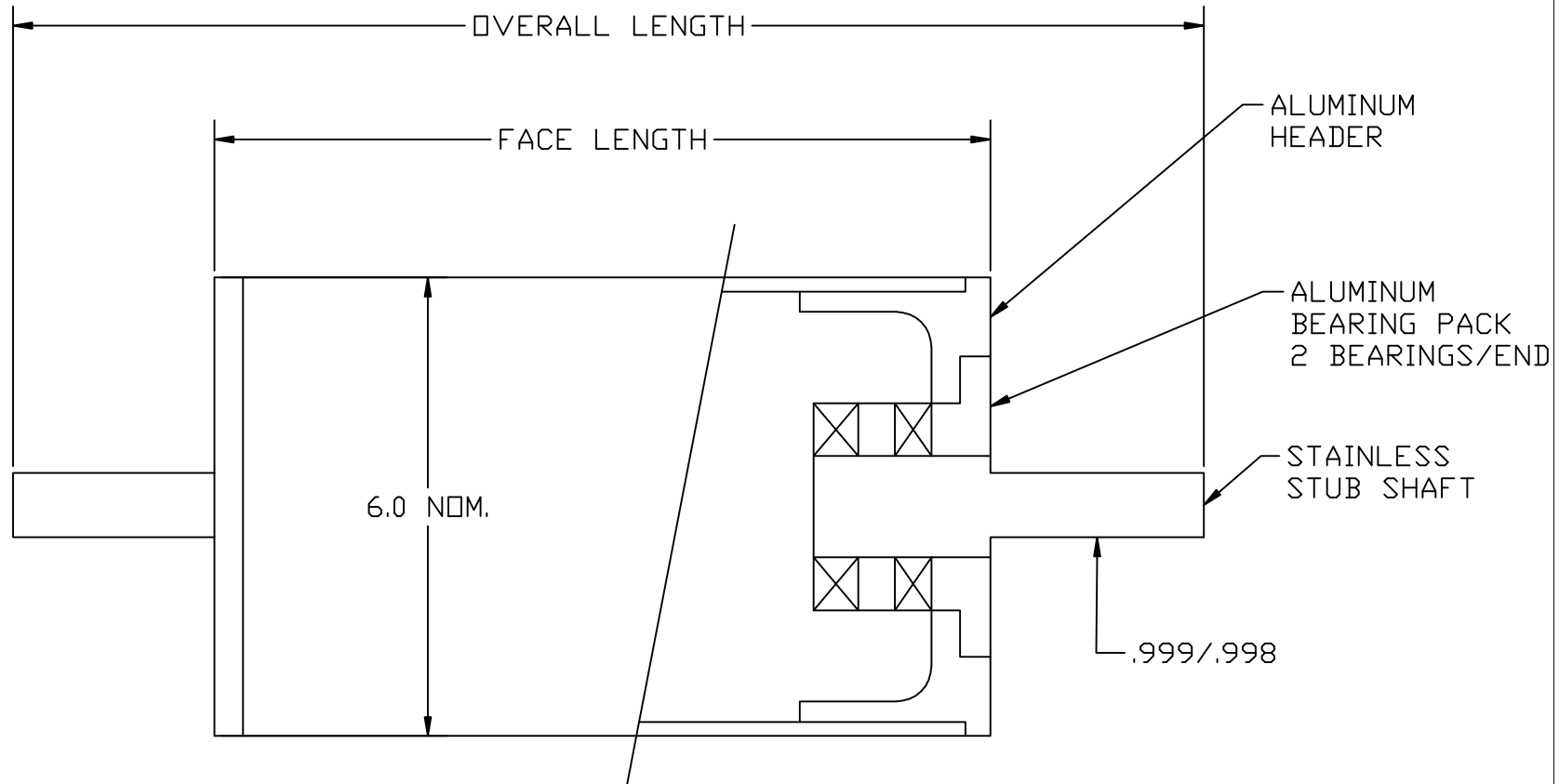
5-"FACE LENGTH"- "OVERALL LENGTH"-14300C
INCHES INCHES

NOTE: 5" X .125" WALL CARBON FIBER TUBING
.003" MAX. TAPER
.003" MAX. T.I.R.
O.D. POLISHED 32 Ra
DYNAMICALLY BALANCED G1.0

ROCKFORD ROLLER CORP.

10527 PRODUCT DR. MACHESNEY PARK IL 61115 (815)282-2234

SCALE		DRAWN	DJ
UNITS	ENGLISH	DATE	4-7-03
		DRAWING NUMBER	
		A-14300	



PART ORDERING INFORMATION:

6-"FACE LENGTH"- "OVERALL LENGTH"-14400C
INCHES INCHES

NOTE: 6" X .125" WALL CARBON FIBER TUBING
.003" MAX. TAPER
.003" MAX. T.I.R.
O.D. POLISHED 32 Ra
DYNAMICALLY BALANCED G1.0

ROCKFORD ROLLER CORP.

10527 PRODUCT DR. MACHESNEY PARK IL 61115 (815)282-2234

SCALE		DRAWN	DJ
UNITS	ENGLISH	DATE	4-7-03
		DRAWING NUMBER	
		A-14400	